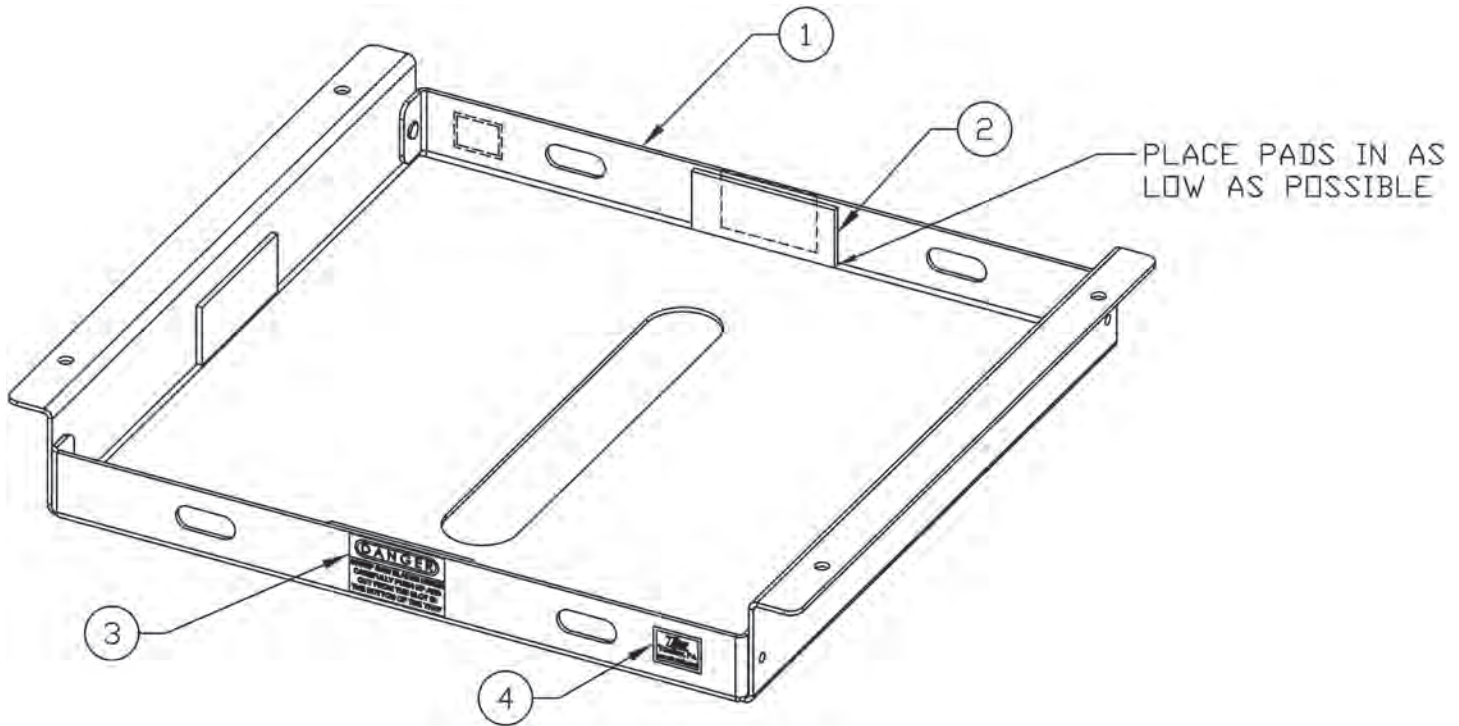


**QUIC-MOUNT SAW BLADE SHELF BRACKET**  
**MODEL QM-SBS**  
**PARTS AND INFORMATION MANUAL**

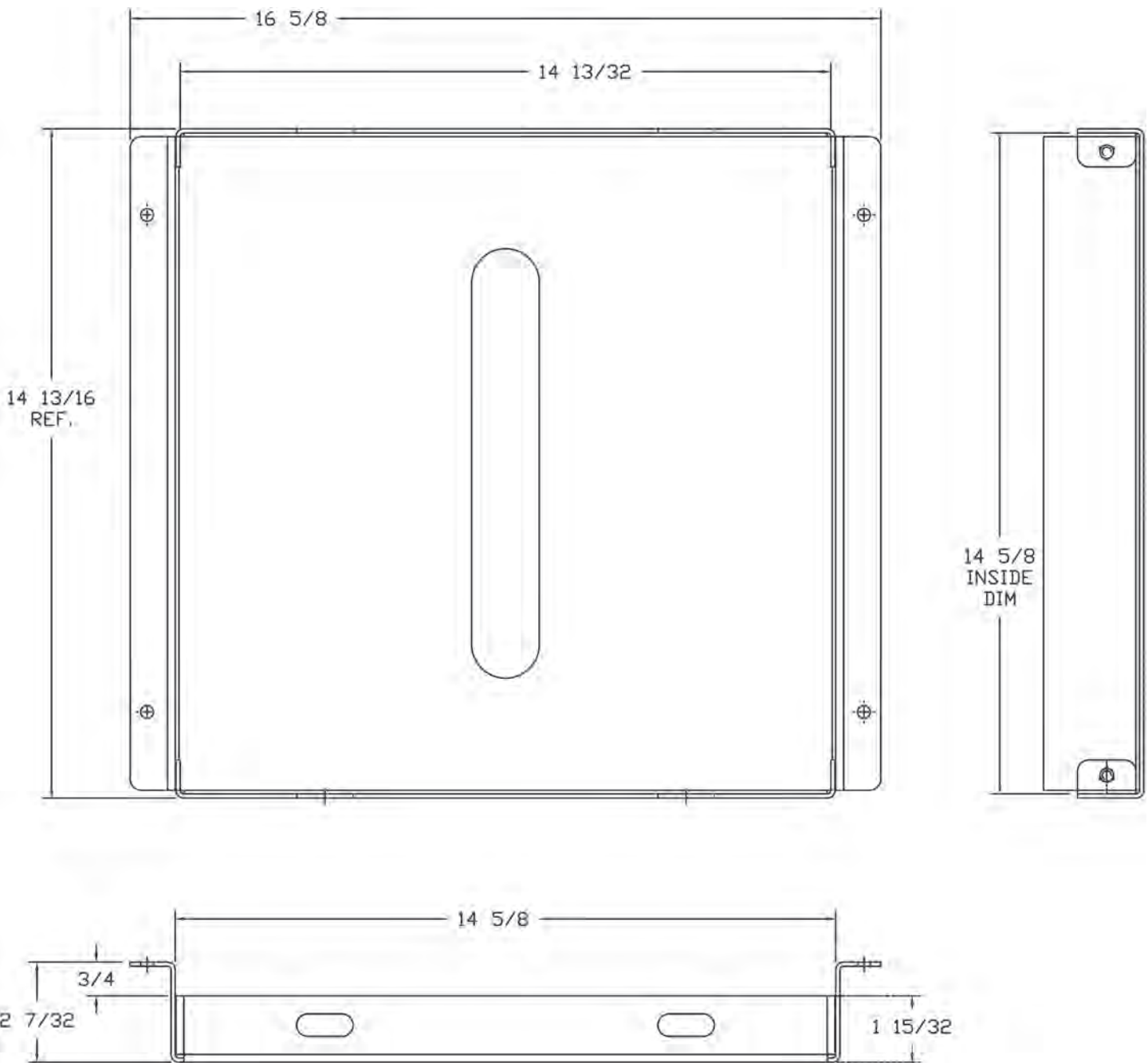


| MODEL  | DESCRIPTION     | WT./@<br>IN LBS. |
|--------|-----------------|------------------|
| QM-SBS | Saw Blade Shelf | 3.0              |

**DANGER**

**SHARP SAW BLADES INSIDE  
 CAREFULLY PUSH UP AND  
 OUT FROM THE SLOT IN  
 THE BOTTOM OF THE TRAY**

| ITEM # | PART #       | DESCRIPTION                             | QTY. |
|--------|--------------|---|------|
| 1      | 3087-262-101 | Shelf, ø14" Saw Blade                   | 1    |
| 2      | 3087-262-103 | Pad w/Tape                              | 4    |
| 3      | 3087-262-107 | Label, Danger Saw Blades w/Instructions | 2    |
| 4      | 0000-000-111 | Label, Zico, Yardley PA                 | 2    |



Mounting Instructions: Mount using 1/4" hardware.



**Ziamatic Corp.**

10 West College Avenue, P.O. Box 337, Yardley, PA 19067-0587 • (215) 493-3618 • FAX: (215) 493-1401

\*ZICO is a registered trademark for fire, safety and marine products made by Ziamatic Corp.

[www.ziamatic.com](http://www.ziamatic.com)

TOLL FREE: 800-711-3473

Copyright Ziamatic Corp. 4-16