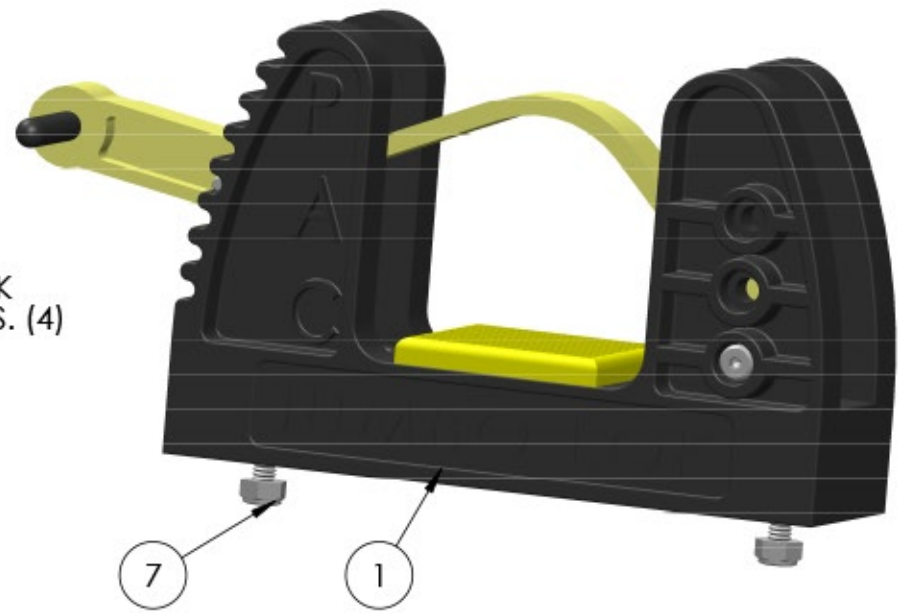
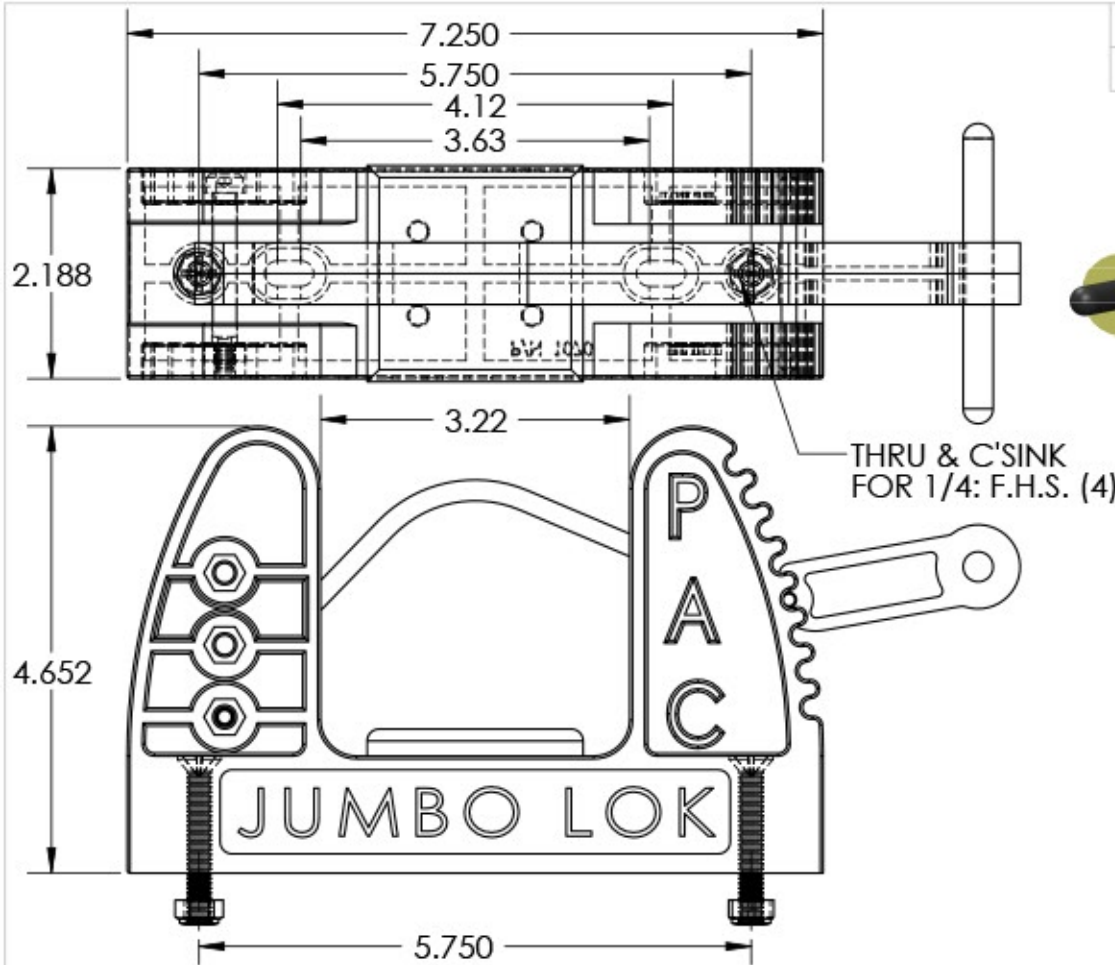


REV	DESCRIPTION	DATE	APPR



GRIP RANGE: 3/8" - 3-1/4"

JUMBO LOK VERSIONS:
NOTES:
 P/N 1070 - YELLOW STRAP,
 P/N 1070B - BLACK STRAP,
 P/N 1070-OR - ORANGE STRAP,



2	7042	FASTENER PAK - JUMBO LOK	1
1	1070P	JUMBO LOK PART	1
ITEM NO.	PAC P/N	PART NAME	QTY

TOLERANCES UNLESS OTHERWISE SPECIFIED	NAME	DATE
.X = ±.03	DRAWN BY JM GONZALEZ	3/16/2010
.XX = ±.010	APPR. BY JM GONZALEZ	3/16/2010
.XXX = ±.005	MFG BY PM PLASTICS	
.XXXX = ±0.0005	MFG. P/N	
ANGLES ±0.5°	ENG APPR.	
FRACTIONAL ±1/64	MATERIAL	
THIRD ANGLE PROJECTION	ALT. MATERIAL	
	FINISH	
COLOR		

THE INFORMATION CONTAINED IN THIS DRAWING IS THE SOLE PROPERTY OF PERFORMANCE ADVANTAGE CO. ANY REPRODUCTION IN PART OR AS A WHOLE WITHOUT THE WRITTEN PERMISSION OF PERFORMANCE ADVANTAGE CO. IS PROHIBITED.	
TITLE:	
JUMBO LOK YELLOW STRAP, STD.	
PART NUMBER	REV
1070	
SCALE: 1:2	SHEET 1 OF 2