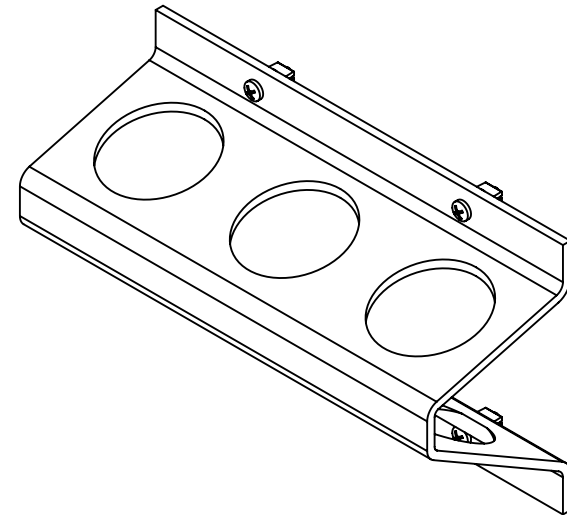
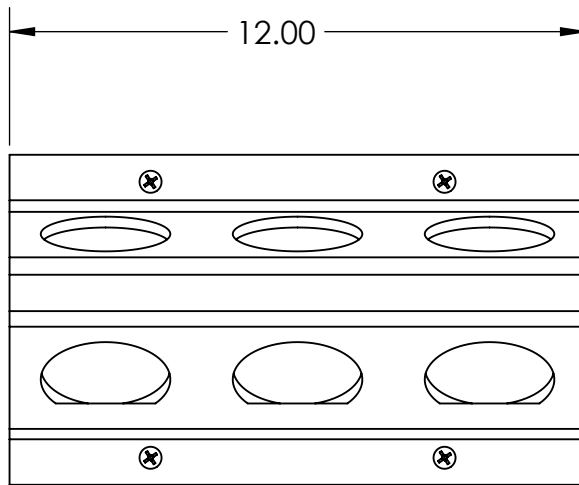
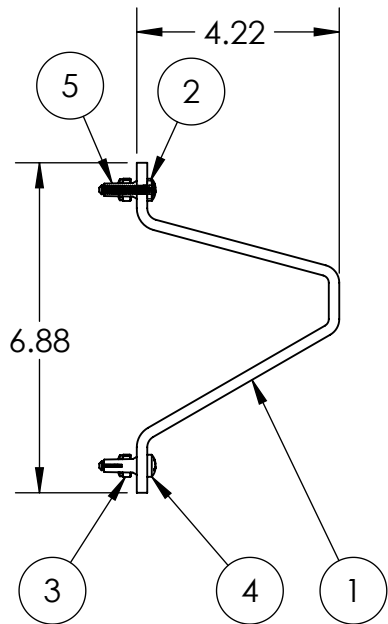


REV	DESCRIPTION	DATE	APPR



5	7016	TRAC LOK INSERT	4
4	2098	14-20 X 3/4 PHIL PANHEAD	4
3	2069LN	1/4-20 NYLON LOCK NUT	4
2	2046	#10 X 1" PAN HEAD SCREW	4
1	1048-4P	THE WEDGE - AEROSOL CAN MOUNT	1
ITEM NO.	PAC P/N	PART NAME	QTY.

**NOTES:**

FITS CYLINDRICAL ITEMS UP TO 2-5/8" DIAMETER

WALL MOUNT

**P**ERFORMANCE  
**A**DVANTAGE  
**C**OMPANY



**TOLERANCES UNLESS OTHERWISE SPECIFIED**

.X= ± .03  
.XX= ± .010  
.XXX= ± .005  
.XXXX= ± 0.0005  
ANGLES ± 0.5 °  
FRACTIONAL ± 1/64

THIRD ANGLE PROJECTION



COLOR

NAME	DATE
DRAWN BY	
APPR. BY	
MFG BY	
MFG. P/N	
ENG APPR.	
MATERIAL	
ALT. MATERIAL	
FINISH	

THE INFORMATION CONTAINED IN THIS DRAWING IS THE SOLE PROPERTY OF **PERFORMANCE ADVANTAGE CO.** ANY REPRODUCTION IN PART OR AS A WHOLE WITHOUT THE WRITTEN PERMISSION OF PERFORMANCE ADVANTAGE CO. IS PROHIBITED.

**TITLE:**

THE WEDGE 3 CAN AEROSOL MOUNT

**PART NUMBER**

1048-4

REV

SCALE: 1:4

SHEET 1 OF 1