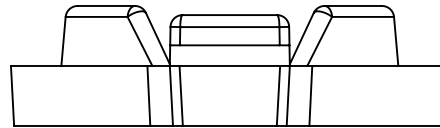
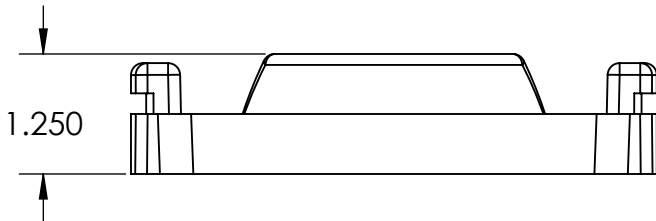
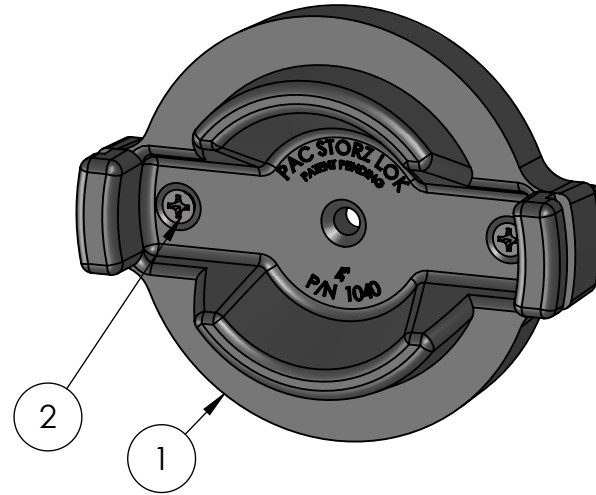
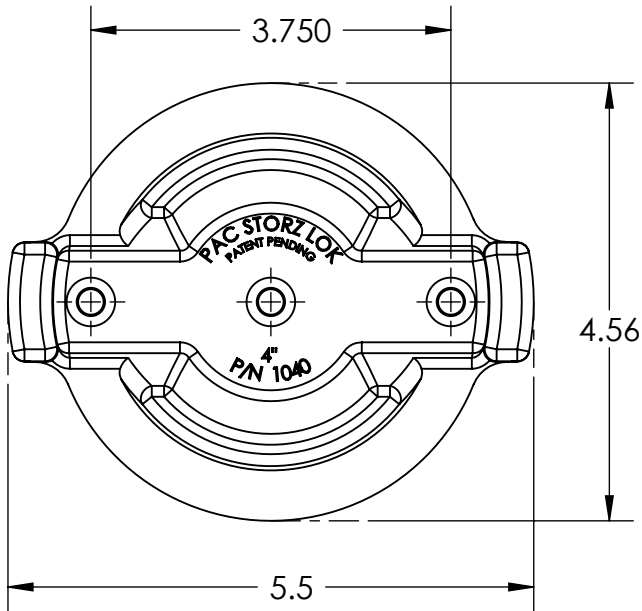


| REV | DESCRIPTION | DATE | APPR |
|-----|-------------|------|------|
|     |             |      |      |



| 2        | 7031    | FASTENER KIT |       | 1   |
|----------|---------|--------------|-------|-----|
| 1        | 1040-4P | STORZ LOK 4" | BLACK | 1   |
| ITEM NO. | PAC P/N | PART NAME    | COLOR | QTY |

**NOTES:**

**P**ERFORMANCE  
**A**DVANTAGE  
**C**OMPANY



**TOLERANCES UNLESS OTHERWISE SPECIFIED**

.X= ± .03  
.XX= ± .010  
.XXX= ± .005  
.XXXX= ± 0.0005  
ANGLES ± 0.5 °  
FRACTIONAL ± 1/64

THIRD ANGLE PROJECTION



COLOR  
BLACK

| NAME                                   | DATE      |
|----------------------------------------|-----------|
| DRAWN BY<br>JIM GONZALEZ               | 8/19/2010 |
| APPR. BY                               |           |
| MFG BY                                 |           |
| MFG. P/N                               |           |
| ENG APPR.                              |           |
| MATERIAL<br>GLASS REINFORCED ELASTOMER |           |
| ALT. MATERIAL                          |           |
| FINISH                                 |           |

THE INFORMATION CONTAINED IN THIS DRAWING IS THE SOLE PROPERTY OF PERFORMANCE ADVANTAGE CO. ANY REPRODUCTION IN PART OR AS A WHOLE WITHOUT THE WRITTEN PERMISSION OF PERFORMANCE ADVANTAGE CO. IS PROHIBITED.

**TITLE:**

**STORZ LOK 4"**

**PART NUMBER**

**1040-4P**

REV

**SCALE: 1:2**

**SHEET 1 OF 2**