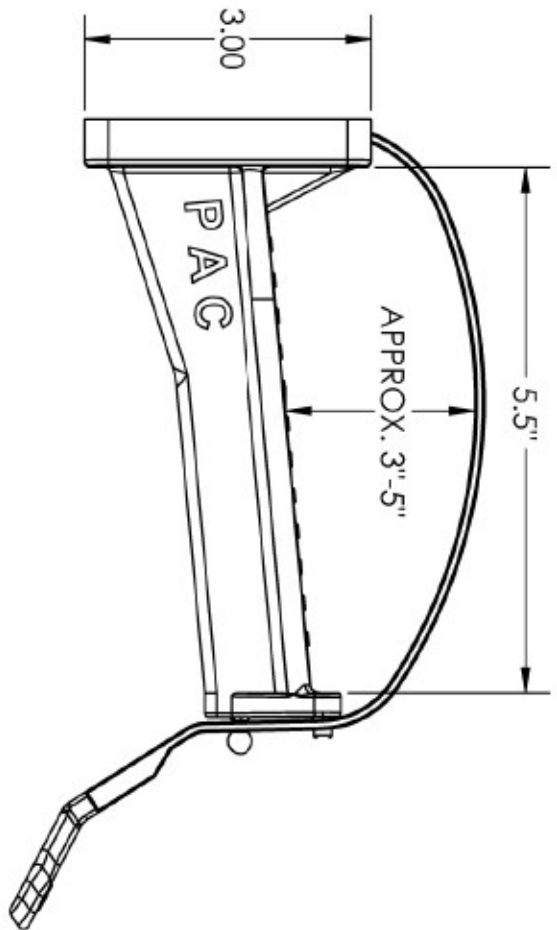
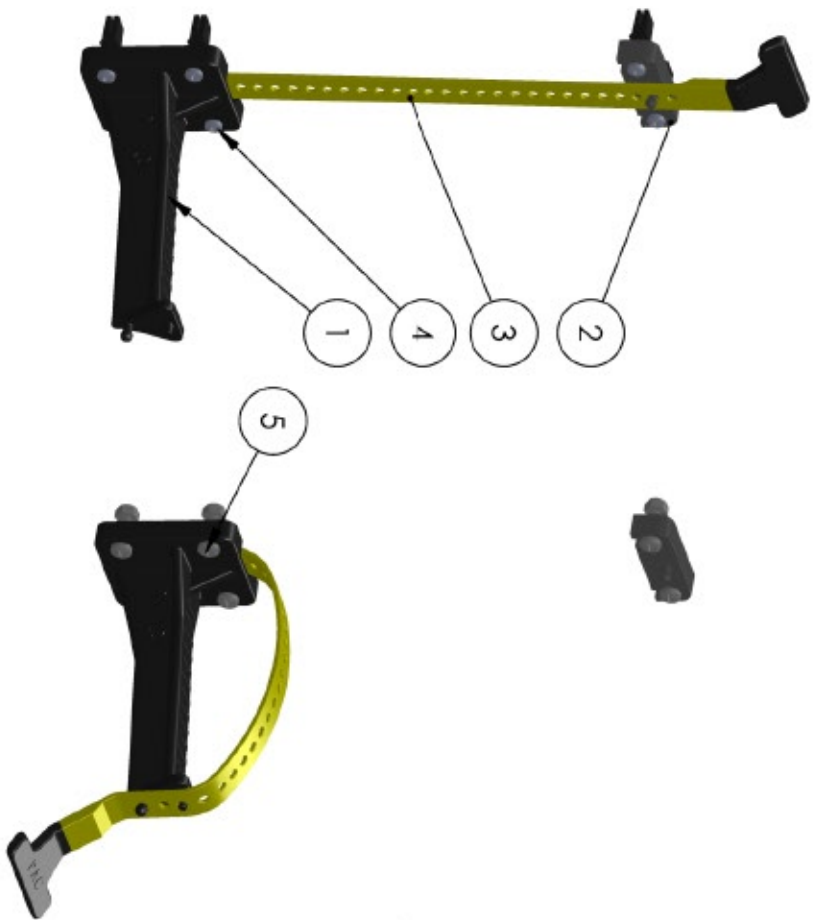


REV	DESCRIPTION	DATE	APPR



ITEM NO.	PAC P/N	PART NAME	QTY.
5	7048	FASTENER KIT	3
4	7034	FASTENER KIT	3
3	4016-1	EXTENDED UNIVERSAL STRAP	1
2	4016-3	STRAP RETAINER	1
1	1021P	COIL-LOK PART	1

TOLERANCES UNLESS OTHERWISE SPECIFIED
 X = ±.03
 XX = ±.010
 XXX = ±.005
 XXXX = ±.00005
 ANGLES ±0.5°
 FRACTIONAL: 1/64

THIRD ANGLE PROJECTION

NAME	DATE
DRAWN BY	
APPR. BY	
MEG BY	
MFG. P/N	
ENG APPR.	
MATERIAL	
ALT. MATERIAL	
FINISH	

THE INFORMATION CONTAINED IN THIS DRAWING IS THE SOLE PROPERTY OF PERFORMANCE ADVANTAGE CO. ANY REPRODUCTION IN PART OR AS A WHOLE WITHOUT THE WRITTEN PERMISSION OF PERFORMANCE ADVANTAGE CO. IS PROHIBITED.

TITLE:
COIL-LOK ASSEMBLY



NOTES:

COLOR

PART NUMBER
 1021

SCALE: 1:4

SHEET 1 OF 2