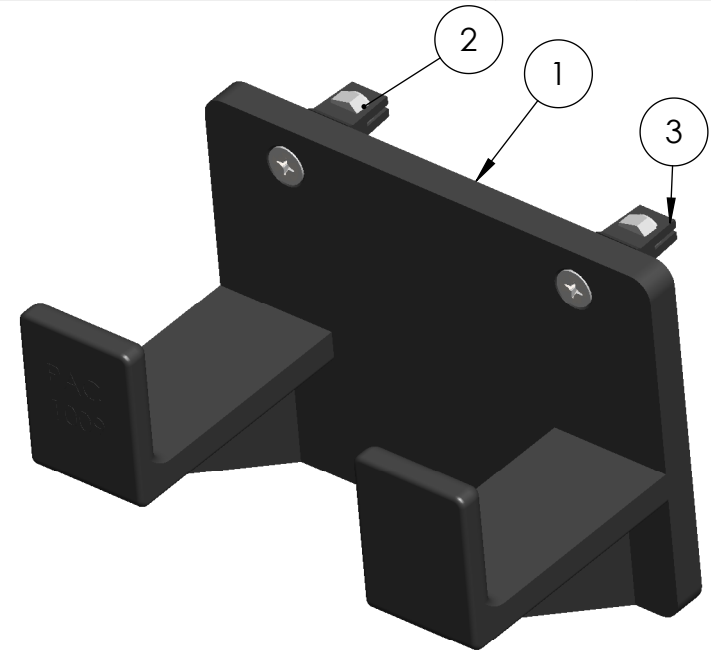
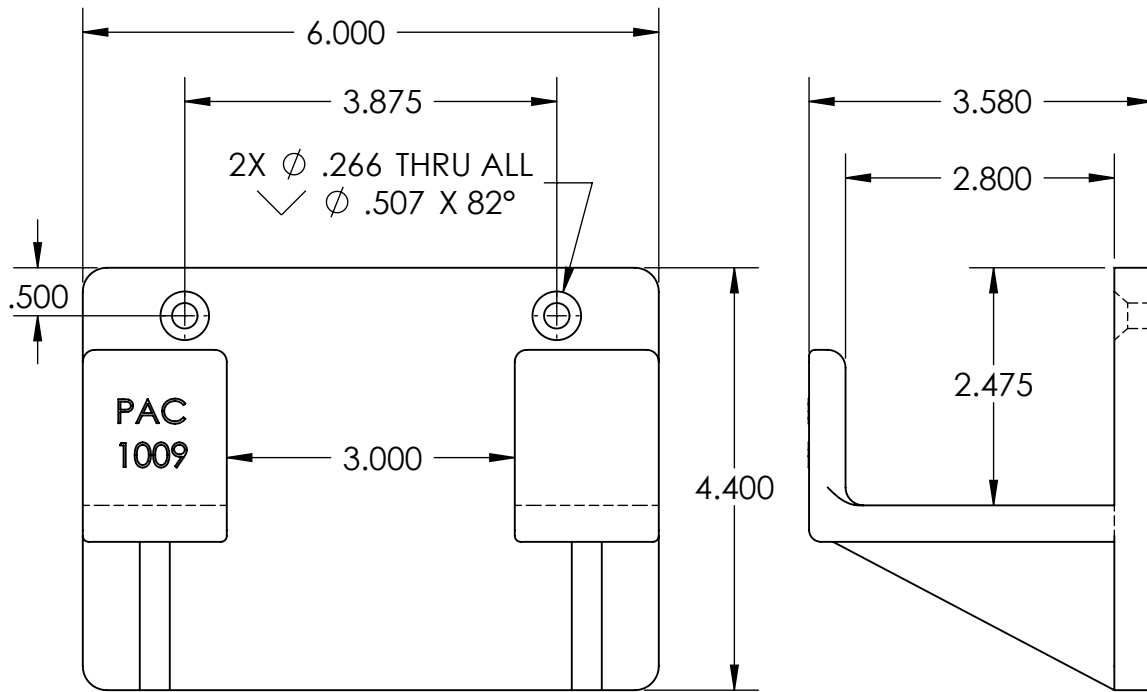


REV	DESCRIPTION	DATE	APPR



3	7021	FASTENER KIT	1
2	2032	FASTENER KIT	1
1	1009P	TOOL HANGER BRACKET	1
ITEM NO.	PAC P/N	PART NAME	QTY

**NOTES:**

**P**ERFORMANCE  
**A**DVANTAGE  
**C**OMPANY



**TOLERANCES UNLESS OTHERWISE SPECIFIED**

.X= ± .03  
.XX= ± .010  
.XXX= ± .005  
.XXXX= ± 0.0005  
ANGLES ± 0.5°  
FRACTIONAL ± 1/64

THIRD ANGLE PROJECTION



COLOR

NAME

DATE

DRAWN BY

APPR. BY

MFG BY

MFG. P/N

ENG APPR.

MATERIAL

ALT. MATERIAL

FINISH

THE INFORMATION CONTAINED IN THIS DRAWING IS THE SOLE PROPERTY OF **PERFORMANCE ADVANTAGE CO.** ANY REPRODUCTION IN PART OR AS A WHOLE WITHOUT THE WRITTEN PERMISSION OF PERFORMANCE ADVANTAGE CO. IS PROHIBITED.

**TITLE:**

**TOOL HANGER BRACKET**

**PART NUMBER**

**1009P**

REV

**SCALE: 1:2**

**SHEET 1 OF 2**