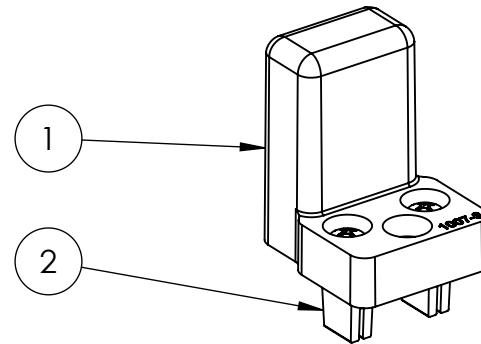
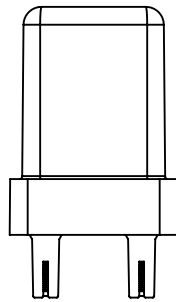
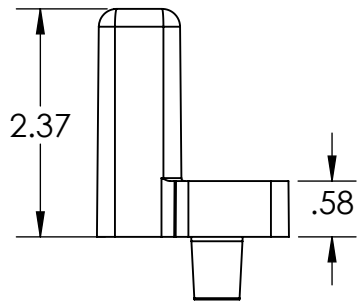
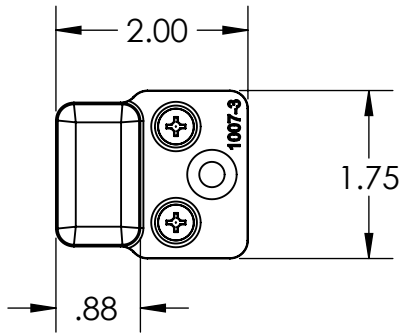


REV	DESCRIPTION	DATE	APPR



2	7033	FASTENER KIT - PAC TRAC	1	
1	1007-3P	UNIVERSAL MOUNT - 3 HOLE	1	
ITEM NO.	PAC P/N	PART NAME	QTY.	REV

NOTES:

**PERFORMANCE
ADVANTAGE
COMPANY**



TOLERANCES UNLESS OTHERWISE SPECIFIED

.X = ± .03
.XX = ± .010
.XXX = ± .005
.XXXX = ± 0.0005
ANGLES ± 0.5 °
FRACTIONAL ± 1/64

THIRD ANGLE PROJECTION



COLOR

NAME	DATE
DRAWN BY	
APPR. BY	
MFG BY	
MFG. P/N	
ENG APPR.	
MATERIAL	
ALT. MATERIAL	
FINISH	

THE INFORMATION CONTAINED IN THIS DRAWING IS THE SOLE PROPERTY OF PERFORMANCE ADVANTAGE CO. ANY REPRODUCTION IN PART OR AS A WHOLE WITHOUT THE WRITTEN PERMISSION OF PERFORMANCE ADVANTAGE CO. IS PROHIBITED.

TITLE:

**UNIVERSAL MOUNT
3 HOLE**

PART NUMBER

1007-3

REV

SCALE: 1:2

SHEET 1 OF 1