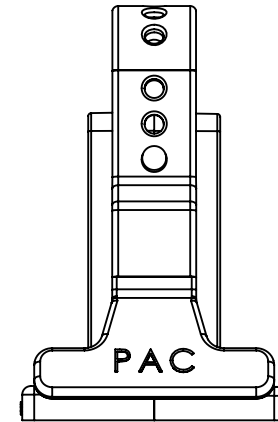
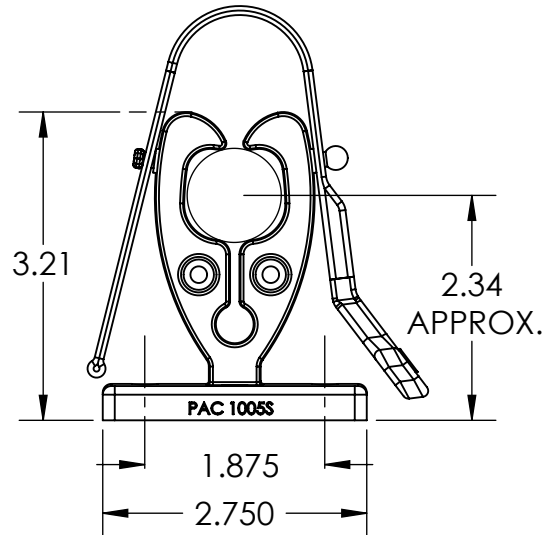
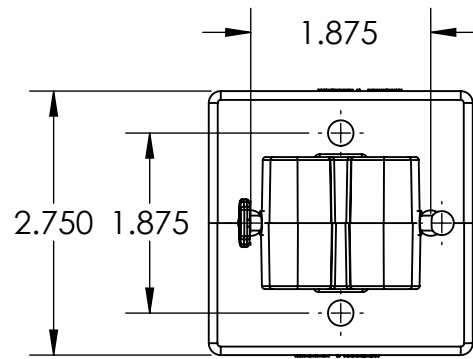
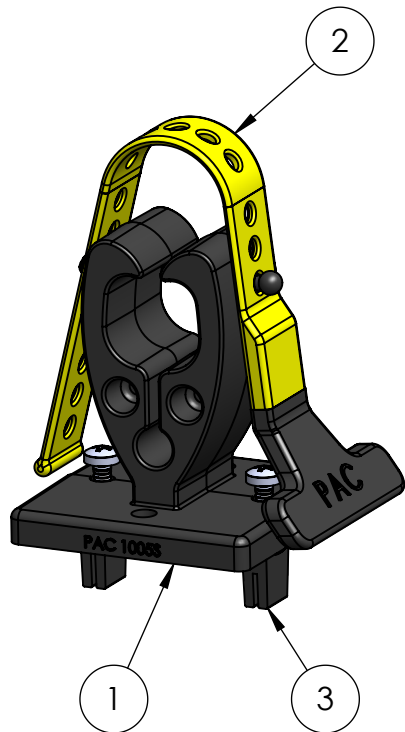


REV	DESCRIPTION	DATE	APPR



3	7028	FASTENER KIT		1
2	4016	UNIVERSAL STRAP		1
1	1005P-S	STOW-N-LOK BRACKET (SHORT)		1
ITEM NO.	PAC P/N	PART NAME	Color	QTY

**NOTES:**

**P**ERFORMANCE  
**A**DVANTAGE  
**C**OMPANY



**TOLERANCES UNLESS OTHERWISE SPECIFIED**

.X = ±.03  
.XX = ±.010  
.XXX = ±.005  
.XXXX = ±0.0005  
ANGLES ±0.5 °  
FRACTIONAL ±1/64

THIRD ANGLE PROJECTION



COLOR

	NAME	DATE
DRAWN BY		
APPR. BY		
MFG BY		
MFG. P/N		
ENG APPR.		
MATERIAL		
ALT. MATERIAL		
FINISH		

THE INFORMATION CONTAINED IN THIS DRAWING IS THE SOLE PROPERTY OF PERFORMANCE ADVANTAGE CO. ANY REPRODUCTION IN PART OR AS A WHOLE WITHOUT THE WRITTEN PERMISSION OF PERFORMANCE ADVANTAGE CO. IS PROHIBITED.

**TITLE:**

**STOW-N-LOK ASSEMBLY**

**PART NUMBER**

**1005S**

REV

**SCALE: 1:2**

**SHEET 1 OF 2**