

TECHNICAL DATA SHEET

DATE UPDATED:
6/8/2015

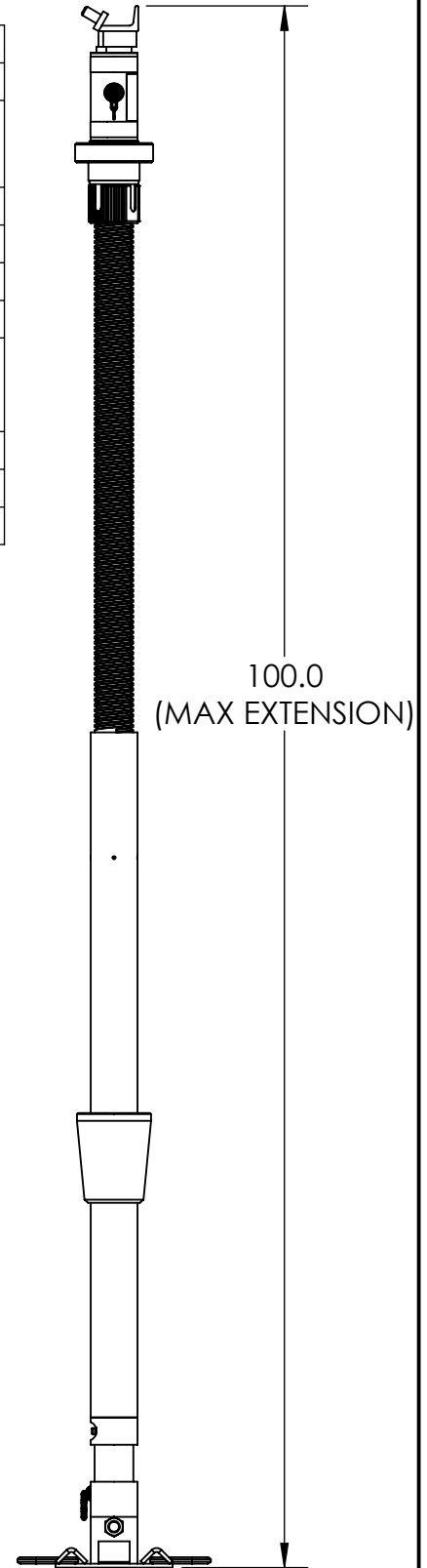
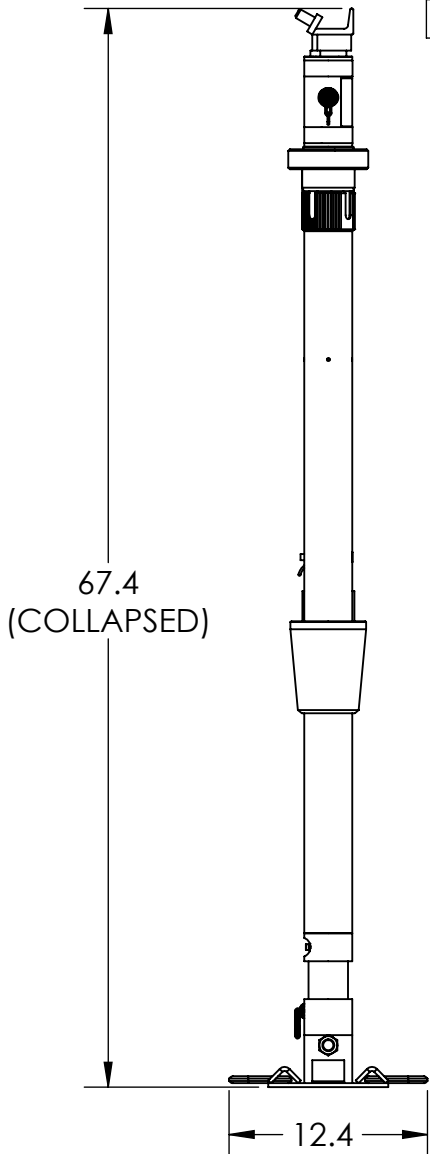
Res-Q-Jack®

TITLE:
SUPER X EXTRICATION STRUT

PART NO.
SPX-EX56

WLL SUMMARY IN LBS		
FIXED PLATE END FITTINGS		
HEIGHT (FT)	HOLLOW INNER SECTION	SOLID INNER SECTION
0-4'	26,910	35,880
6'	21,188	28,250
8'	18,038	24,050
OTHER END FITTINGS		
HEIGHT (FT)	HOLLOW OR SOLID INNER SECTION	
0-4'	26,910	
6'	19,300	
8'	10,800	

MISC. DATA	
MAX AIR PRESSURE	200 PSI
JACK LIFTING WLL	6,000LBS
WEIGHT	45 LBS
JACK WEIGHT	22 LBS
JACK MAXIMUM TRAVEL	12 INCHES



NOTES:

1. WHEN USING EXTENSIONS:
2 EXTENSIONS MAXIMUM
MAXIMUM OF 3 FEET EXTENSIONS
2. THE COMPONENT WITH THE LOWEST WLL DETERMINES THE WLL OF THE ENTIRE CONFIGURATION
3. ALL DIMENSIONS IN INCHES.

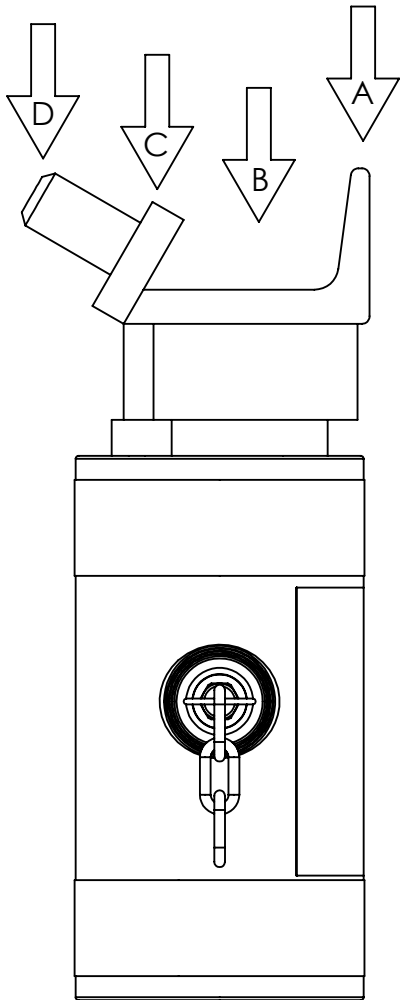
TECHNICAL DATA SHEET

DATE UPDATED:
6/8/2015

TITLE:
SWIVEL CRG

PART NO.
SPX-SCRG

Res-Q-Jack®



LOAD RATINGS (2:1)	
A	7,500 LBS
B	10,500 LBS
C	10,500 LBS
D	7,000 LBS

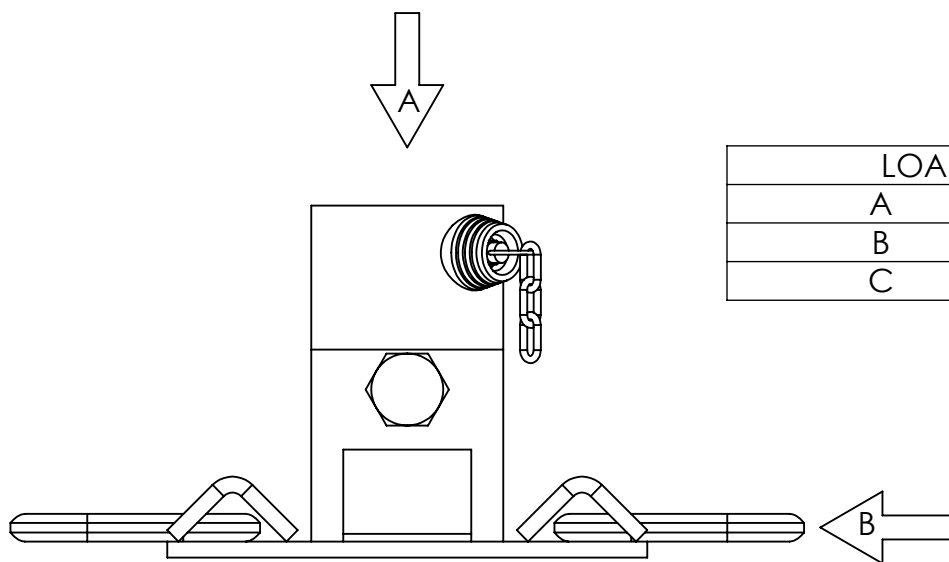
TECHNICAL DATA SHEET

DATE UPDATED:
6/8/2015

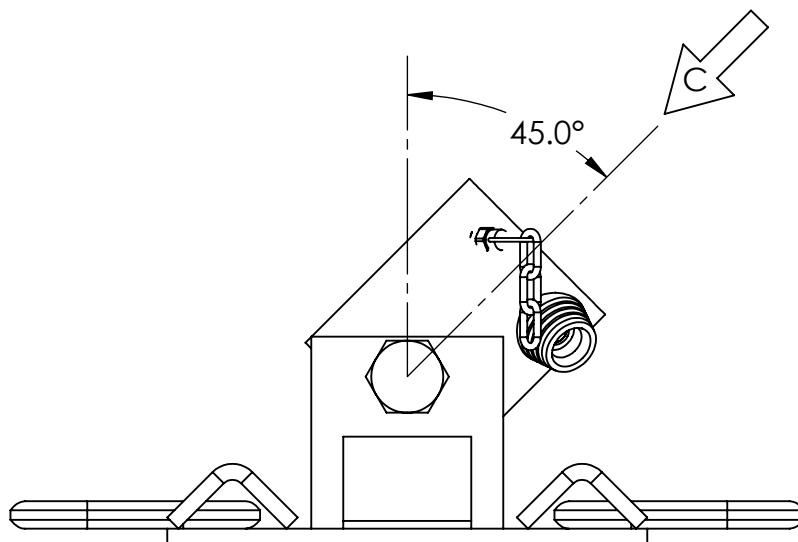
TITLE:
SMALL EXTRICATION BASE PLATE

PART NO.
SPX-EXBP

Res-Q-Jack®



LOAD RATINGS (2:1)	
A	38,000 LBS
B	6,100 LBS
C	9,800 LBS



TECHNICAL DATA SHEET

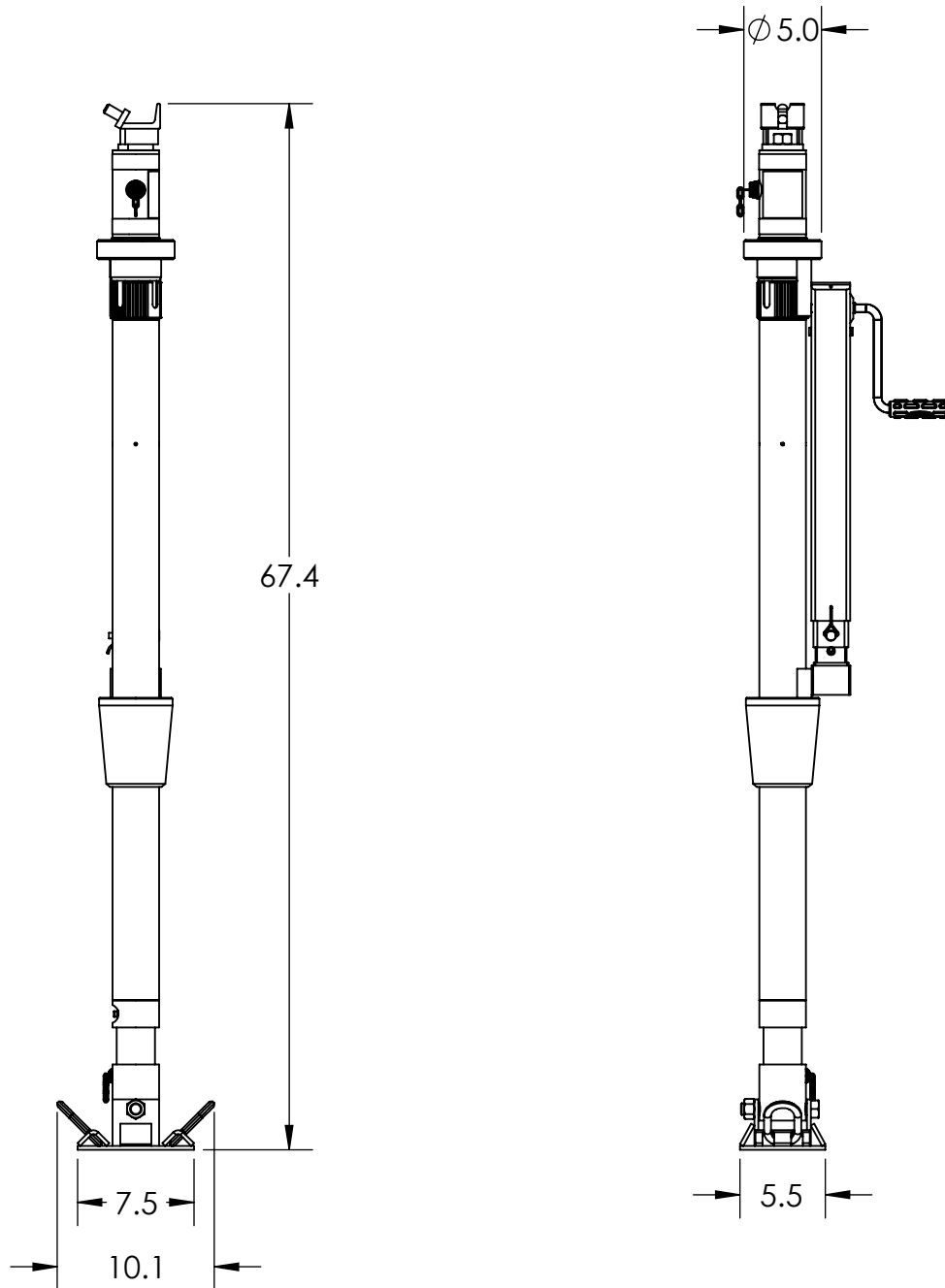
DATE UPDATED:
6/8/2015

TITLE:
SUPER X EXTRICATION STRUT

PART NO.
SPX-EX56

Res-Q-Jack®

STORAGE DIMENSIONS WITH SWIVEL CRG AND SMALL BASE PLATE



NOTES:
1. ALL DIMENSIONS IN INCHES.

TECHNICAL DATA SHEET

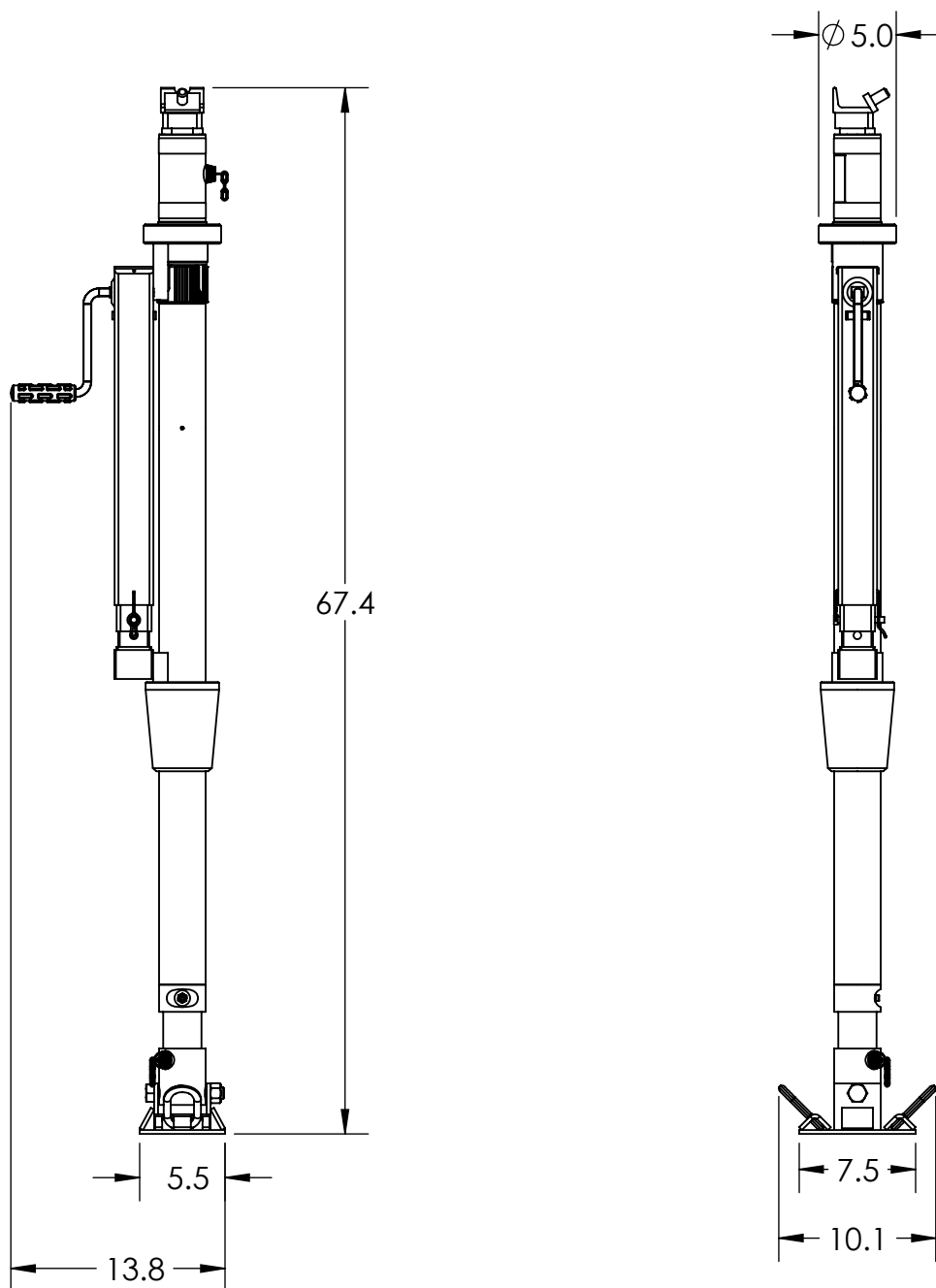
DATE UPDATED:
6/8/2015

TITLE:
SUPER X EXTRICATION STRUT

PART NO.
SPX-EX56

Res-Q-Jack®

STORAGE DIMENSIONS WITH SWIVEL CRG, SMALL BASE PLATE, AND JACK



NOTES:
1. ALL DIMENSIONS IN INCHES.

TECHNICAL DATA SHEET

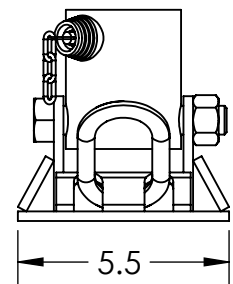
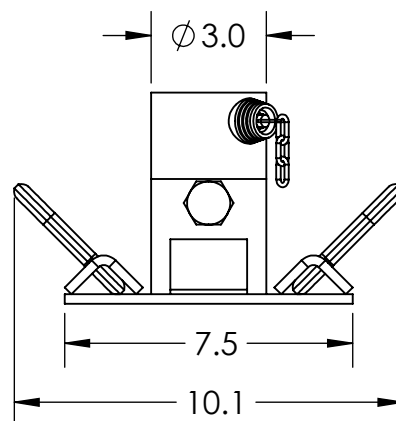
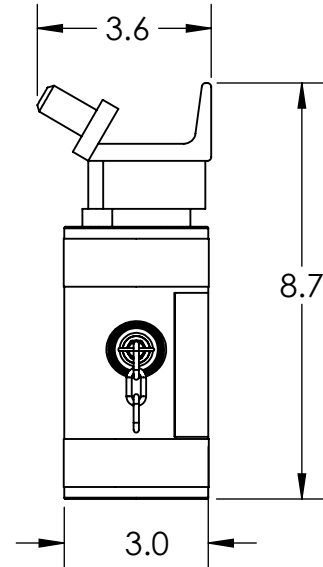
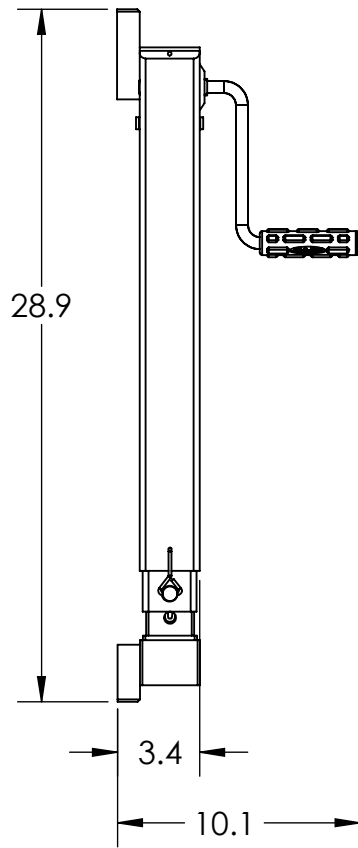
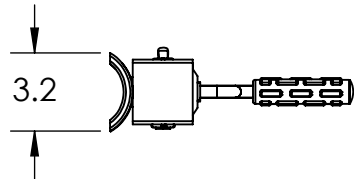
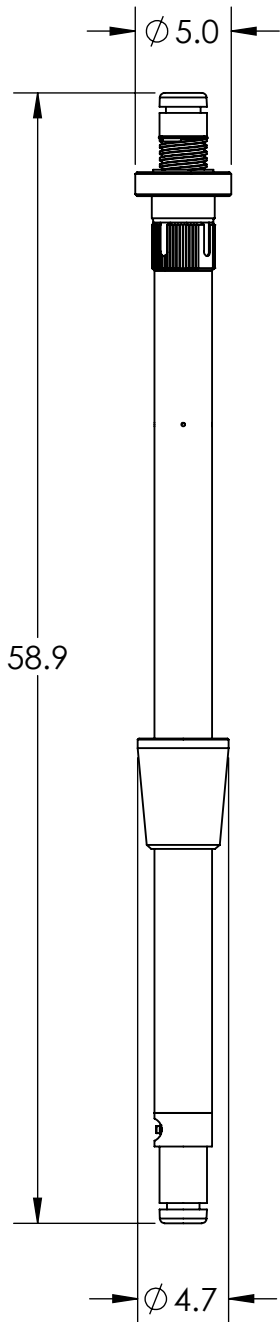
DATE UPDATED:
6/8/2015

TITLE:
SUPER X EXTRICATION STRUT

PART NO.
SPX-EX56

Res-Q-Jack®

STORAGE DIMENSIONS



NOTES:
1. ALL DIMENSIONS IN INCHES.

TECHNICAL DATA SHEET

DATE UPDATED:
6/8/2015

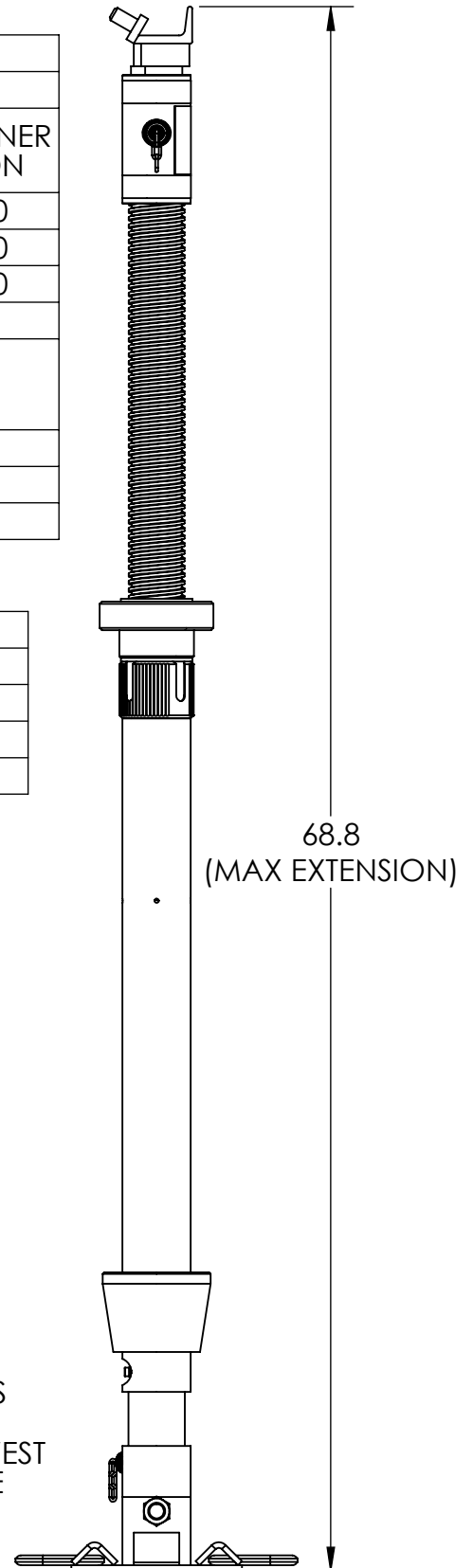
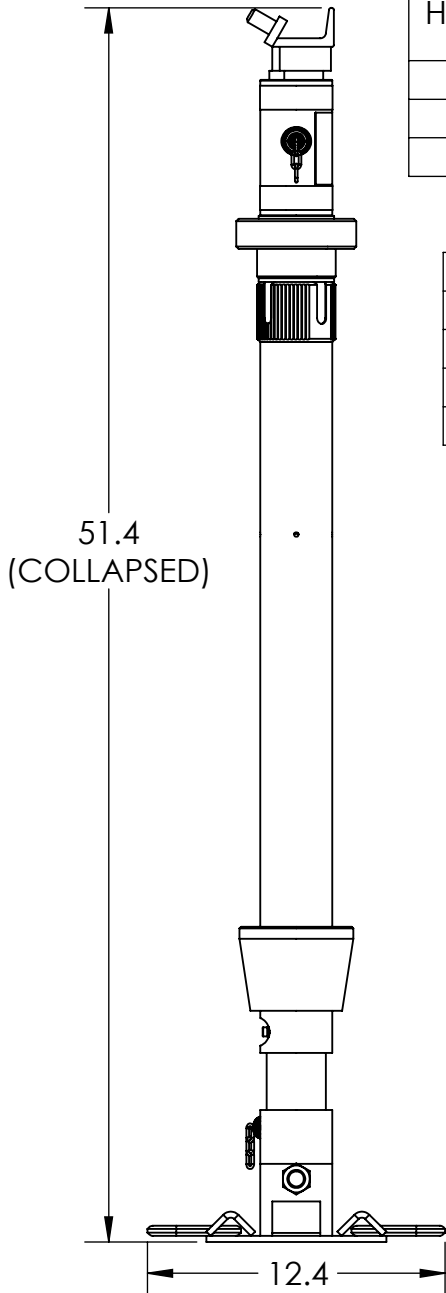
TITLE:
SHORT SUPER X EXTRICATION STRUT

PART NO.
SPX-EX41

Res-Q-Jack®

WLL SUMMARY IN LBS		
FIXED PLATE END FITTINGS		
HEIGHT (FT)	HOLLOW INNER SECTION	SOLID INNER SECTION
0-4'	26,910	35,880
6'	21,188	28,250
8'	18,038	24,050
OTHER END FITTINGS		
HEIGHT (FT)	HOLLOW OR SOLID INNER SECTION	
0-4'	26,910	
6'	19,300	
8'	10,800	

MISC. DATA	
MAX AIR PRESSURE	200 PSI
JACK LIFTING WLL	6,000LBS
WEIGHT	45 LBS
JACK WEIGHT	22 LBS



NOTES:

1. WHEN USING EXTENSIONS:
2 EXTENSIONS MAXIMUM
MAXIMUM OF 3 FEET EXTENSIONS
2. THE COMPONENT WITH THE LOWEST WLL DETERMINES THE WLL OF THE ENTIRE CONFIGURATION
3. ALL DIMENSIONS IN INCHES.

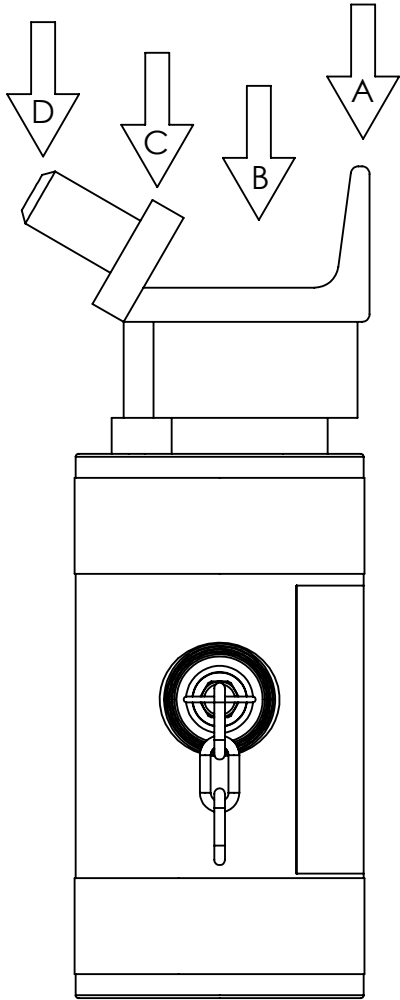
TECHNICAL DATA SHEET

DATE UPDATED:
6/8/2015

TITLE:
SWIVEL CRG

PART NO.
SPX-SCRG

Res-Q-Jack®



LOAD RATINGS (2:1)	
A	7,500 LBS
B	10,500 LBS
C	10,500 LBS
D	7,000 LBS

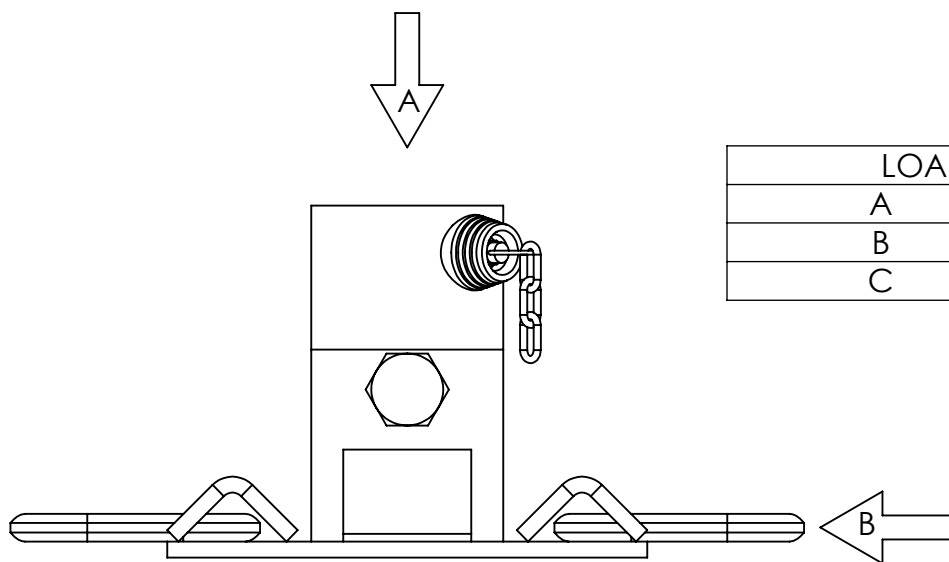
TECHNICAL DATA SHEET

DATE UPDATED:
6/8/2015

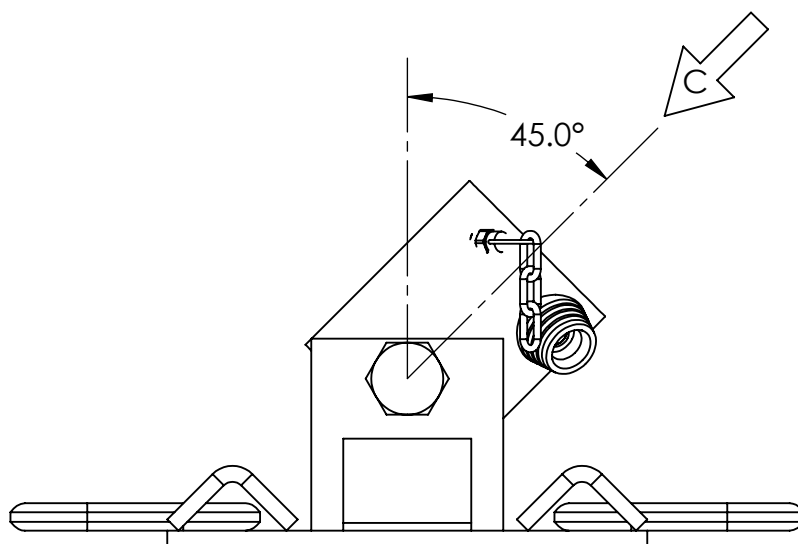
TITLE:
SMALL EXTRICATION BASE PLATE

PART NO.
SPX-EXBP

Res-Q-Jack®



LOAD RATINGS (2:1)	
A	38,000 LBS
B	6,100 LBS
C	9,800 LBS



TECHNICAL DATA SHEET

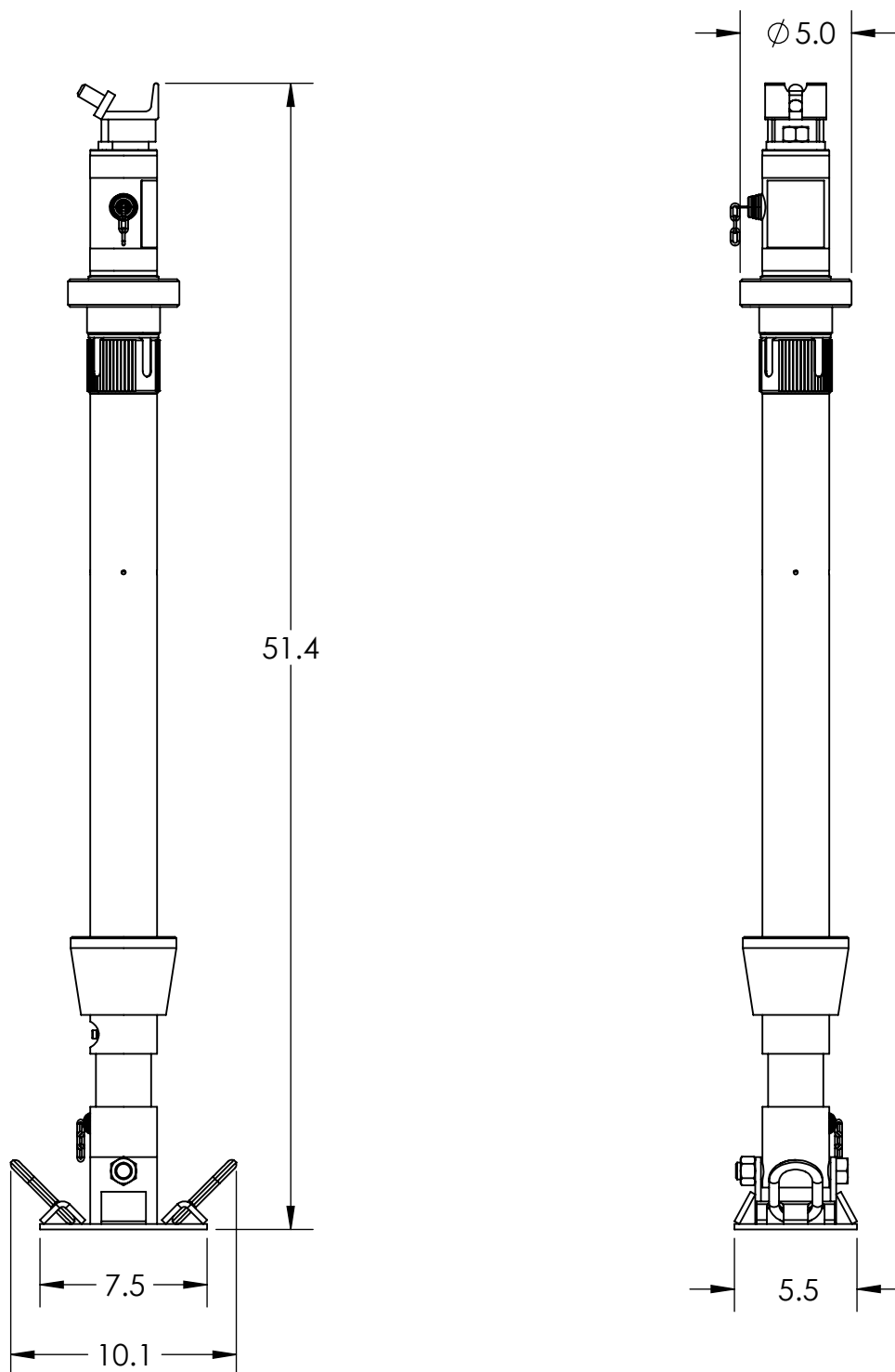
DATE UPDATED:
6/8/2015

TITLE:
SHORT SUPER X EXTRICATION STRUT

PART NO.
SPX-EX41

Res-Q-Jack®

STORAGE DIMENSIONS WITH SWIVEL CRG AND SMALL BASE PLATE



NOTES:
1. ALL DIMENSIONS IN INCHES.

TECHNICAL DATA SHEET

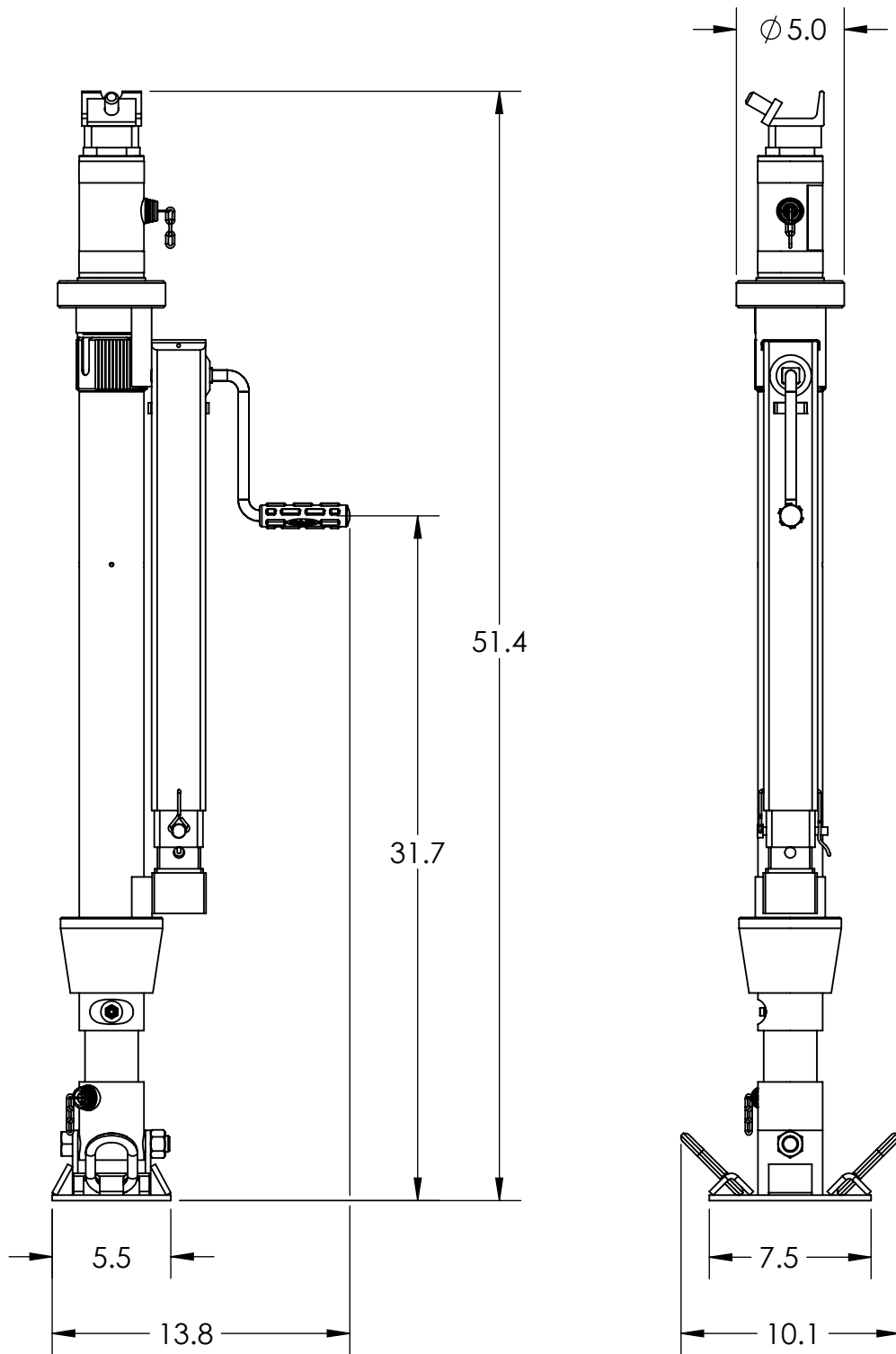
DATE UPDATED:
6/8/2015

TITLE:
SHORT SUPER X EXTRICATION STRUT

PART NO.
SPX-EX41

Res-Q-Jack®

STORAGE DIMENSIONS WITH SWIVEL CRG, SMALL BASE PLATE, AND JACK



NOTES:
1. ALL DIMENSIONS IN INCHES.

TECHNICAL DATA SHEET

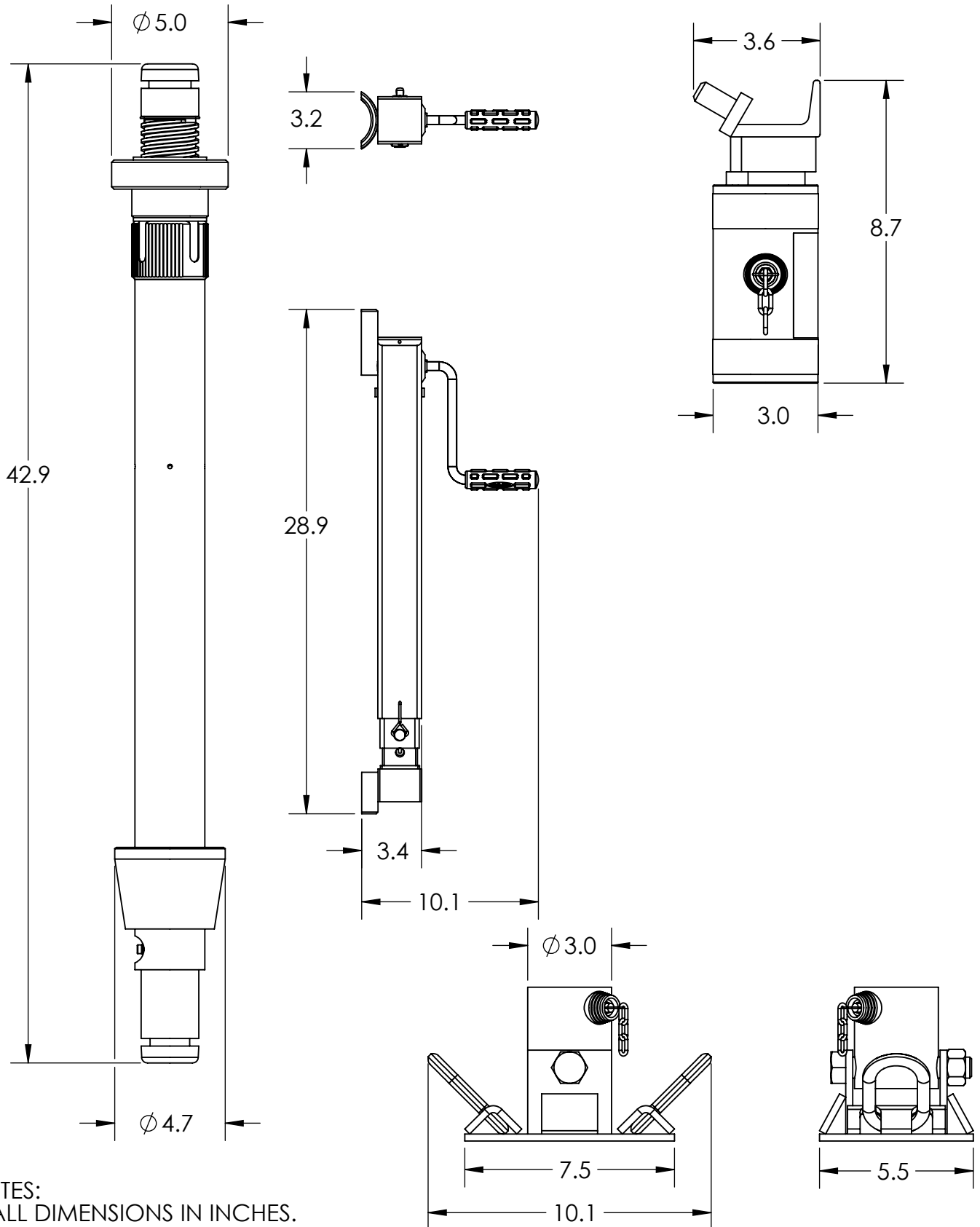
DATE UPDATED:
6/8/2015

TITLE:
SHORT SUPER X EXTRICATION STRUT

PART NO.
SPX-EX41

Res-Q-Jack®

STORAGE DIMENSIONS



NOTES:
1. ALL DIMENSIONS IN INCHES.